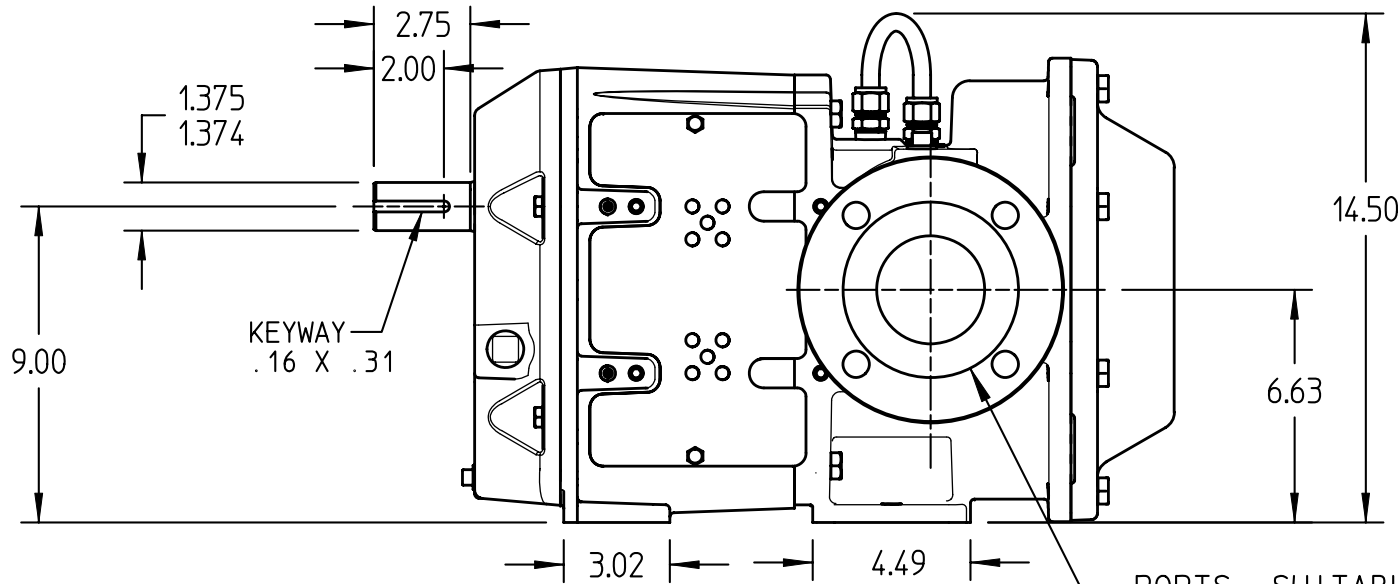
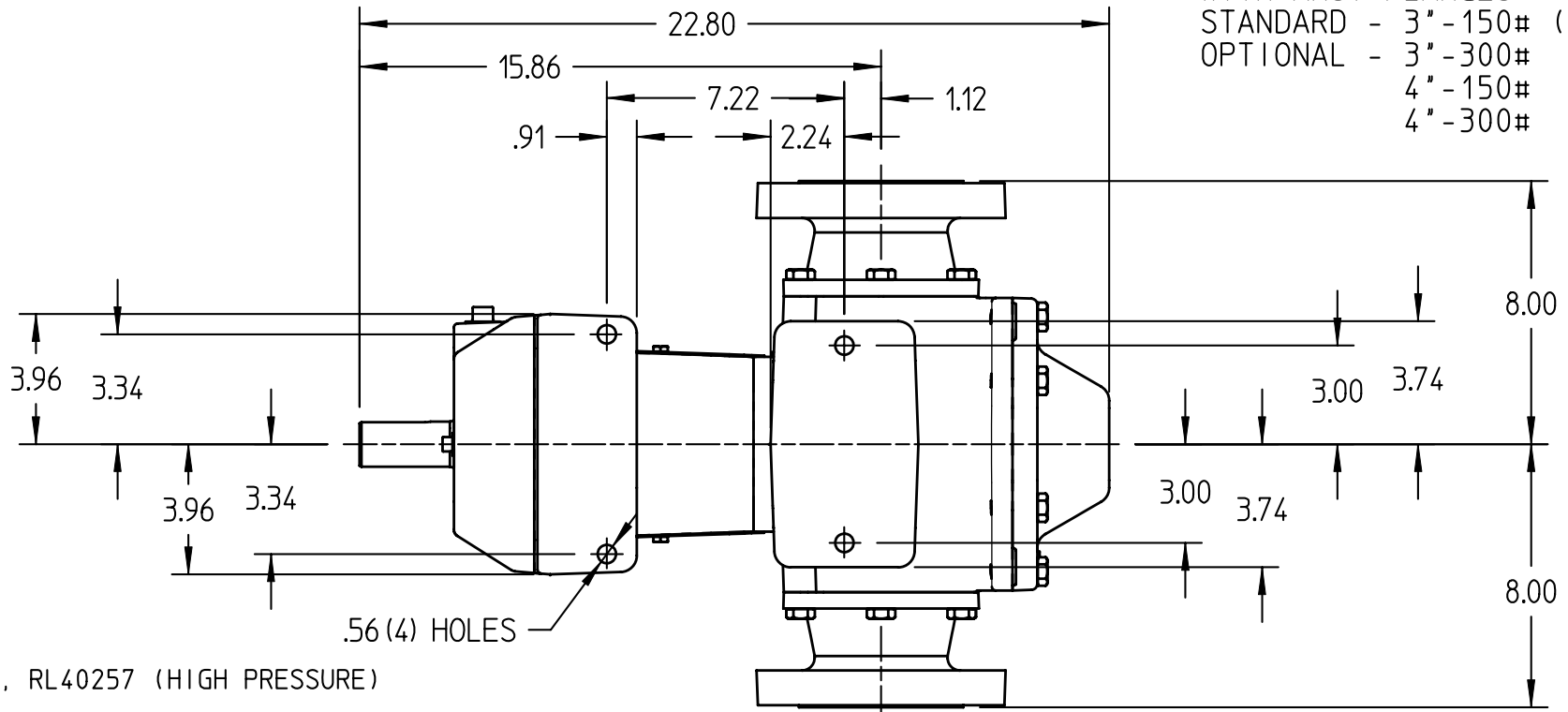


DRAWING NO. RLV-6



PORTS: SUITABLE FOR USE
WITH ANSI FLANGES
STANDARD - 3" - 150# (SHOWN)
OPTIONAL - 3" - 300#
4" - 150#
4" - 300#



MODELS: RL0257, RL40257 (HIGH PRESSURE)
PKG

DRAWN CRAWFORD DATE 21 APR 2003
CHECKED IEHL DATE 24 APR 2003

THIS DRAWING IS THE PROPERTY OF VIKING PUMP INC. AND IS PROPRIETARY IN GENERAL AND DETAIL. IT SHALL NOT BE COPIED OR ITS CONTENTS REVEALED TO OUTSIDE PARTIES WITHOUT THE WRITTEN CONSENT OF VIKING PUMP INC.

VIKING PUMP
VIKING PUMP, INC.
A Unit of IDEX Corporation
Cedar Falls, Iowa 50613
U.S.A.

DRAWING NO.
RLV-6

REV. B
11 JUL 2008