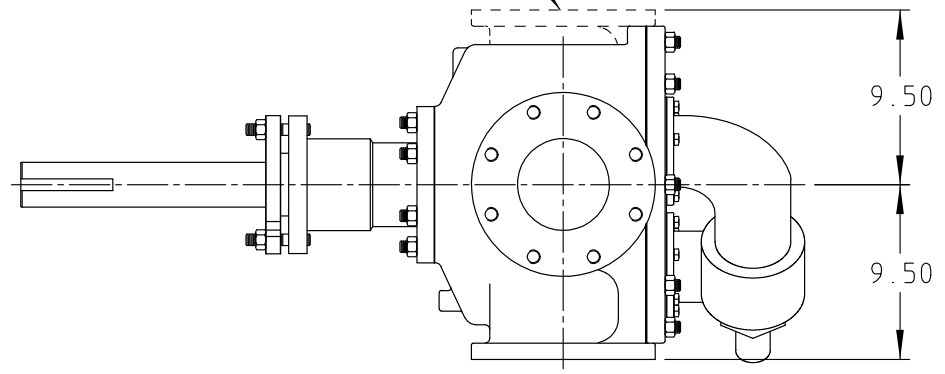
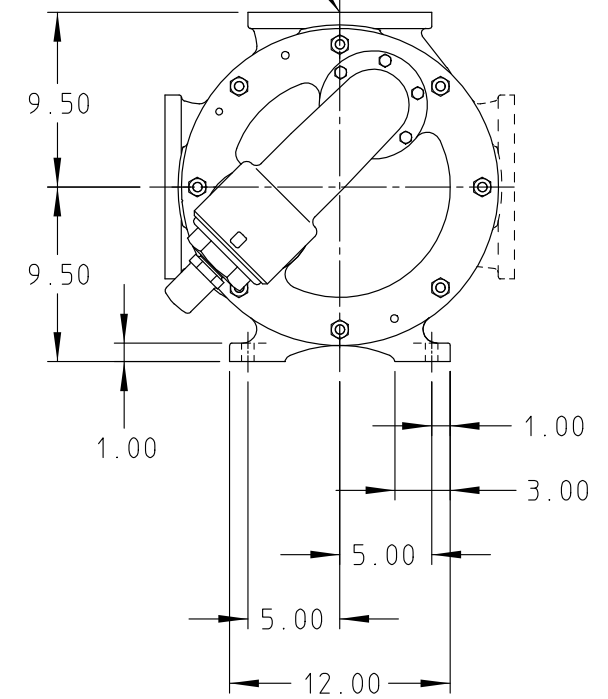
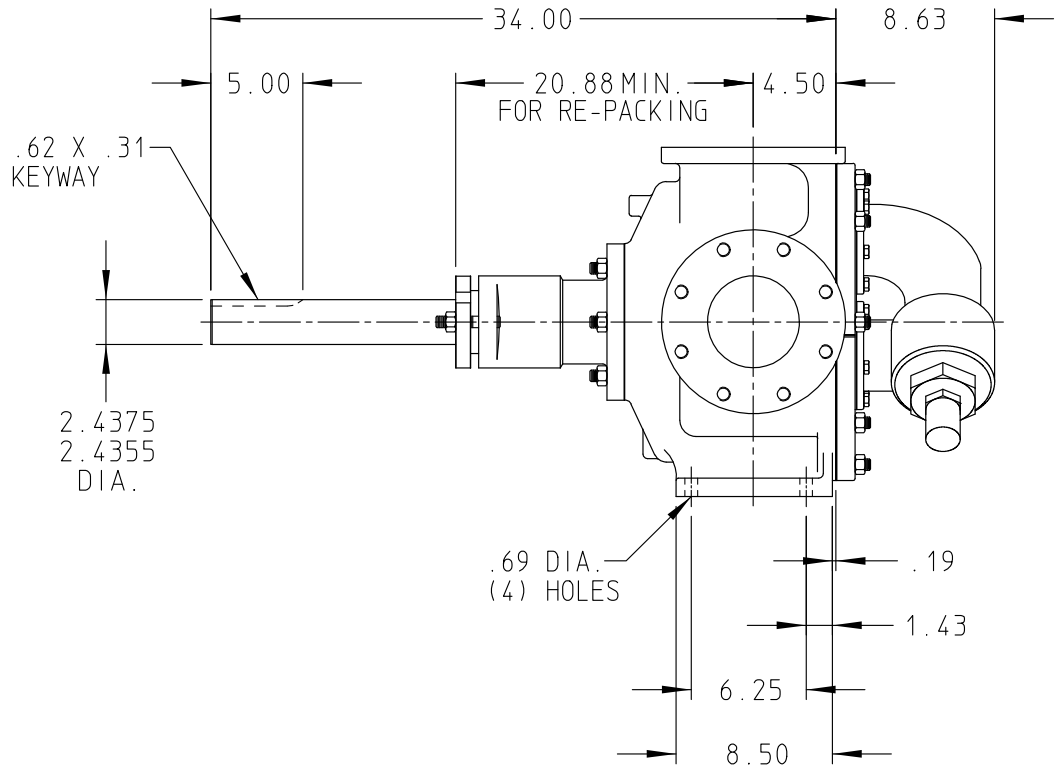


DRAWING NO.
NV-648

LEFT HAND PORT
 SHOWN DOTTED



PORTS: 5" FLANGES
 WITH STUDS AND NUTS
 (NOT SHOWN)
 SUITABLE FOR USE WITH
 125# ANSI FLANGES



STANDARD MODELS: N32

DRAWN DANN DATE 27 NOV 2000
 CHECKED DC DATE 19 DEC 2000

THIS DRAWING IS THE PROPERTY OF VIKING PUMP INC. AND IS PROPRIETARY IN GENERAL AND DETAIL. IT SHALL NOT BE COPIED OR ITS CONTENTS REVEALED TO OUTSIDE PARTIES WITHOUT THE WRITTEN CONSENT OF VIKING PUMP INC.

VIKING PUMP
 VIKING PUMP, INC.
 A Unit of IDEX Corporation
 Cedar Falls, Iowa 50613
 U.S.A.

DRAWING NO.
NV-648

REV. B
 12 DEC 2007