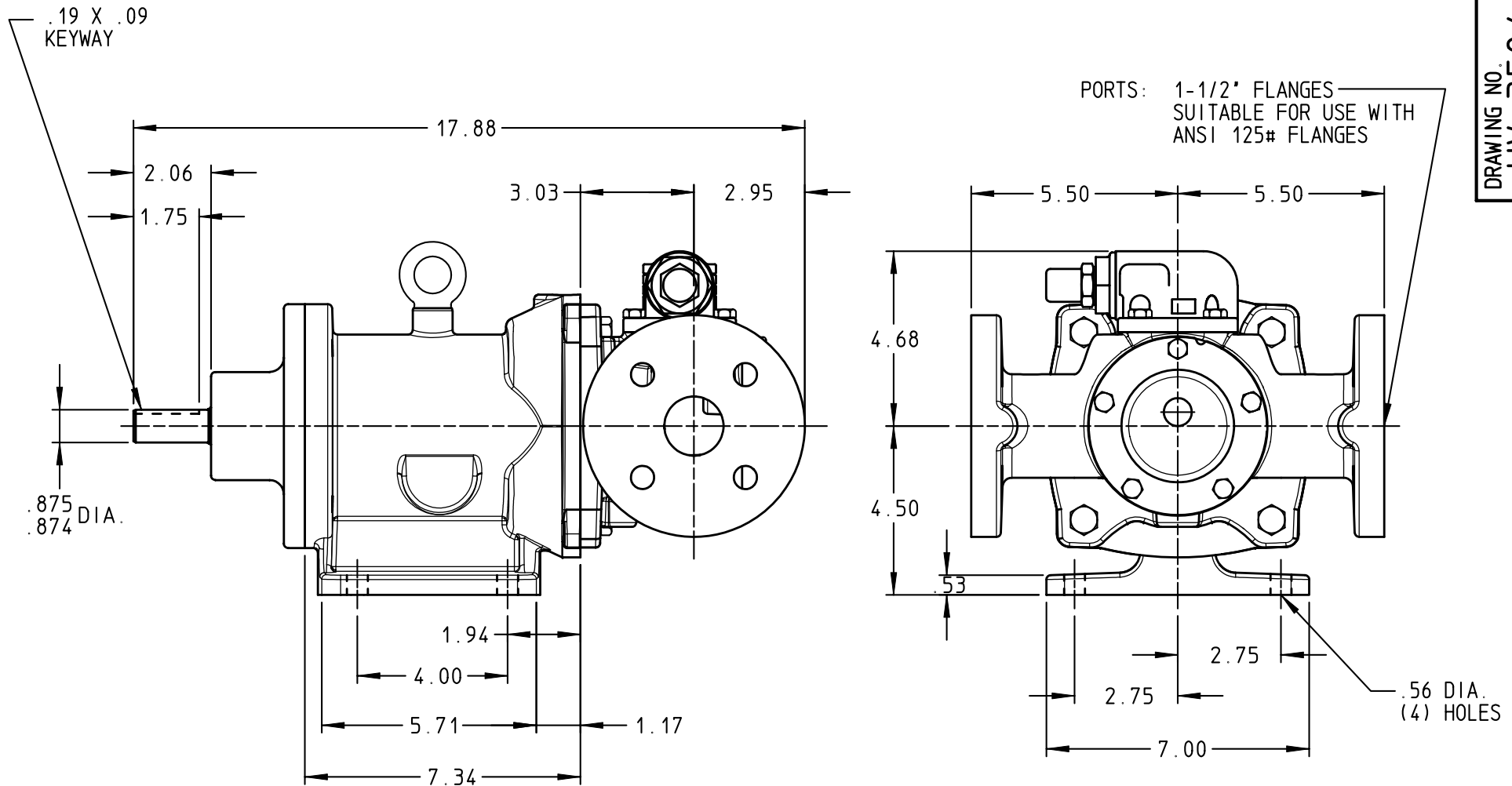


DRAWING NO.
HV-3584



STANDARD MODELS: HJ855-MD2A-B, HL855-MD2A-B

DRAWN REUTHER DATE 25 APR 2005
CHECKED IEHL DATE 26 APR 2005

THIS DRAWING IS THE PROPERTY OF VIKING PUMP INC. AND IS PROPRIETARY IN GENERAL AND DETAIL. IT SHALL NOT BE COPIED OR ITS CONTENTS REVEALED TO OUTSIDE PARTIES WITHOUT THE WRITTEN CONSENT OF VIKING PUMP INC.



VIKING PUMP, INC.
A Unit of IDEX Corporation
Cedar Falls, Iowa 50613
U.S.A.

DRAWING NO.
HV-3584

REV. A
25 APR 2005