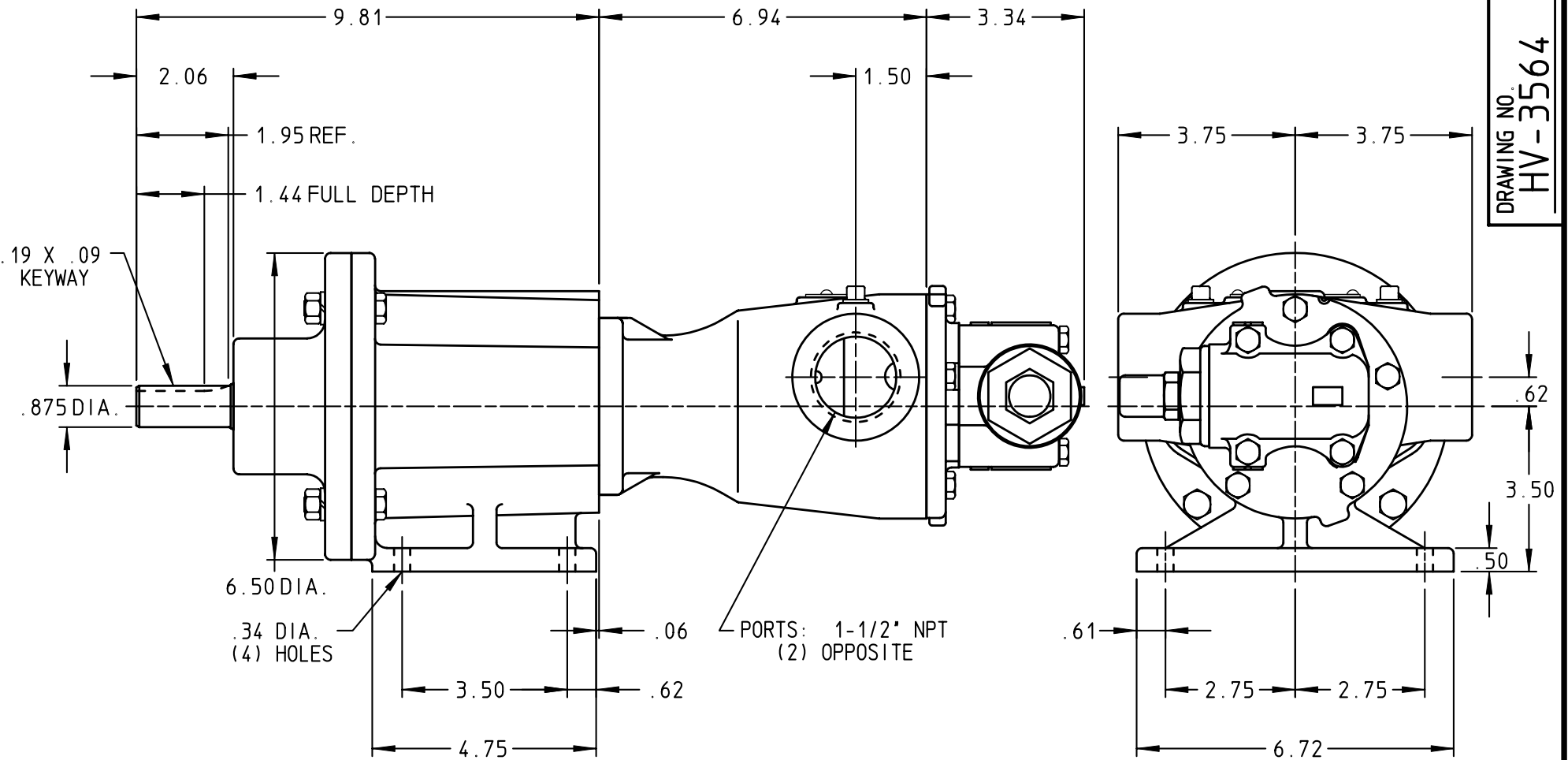


DRAWING NO.
HV-3564



STANDARD MODELS: HJ-895-MDA4-B. HJ-895-MDA9-B

DRAWN JAKEL DATE 02 MAR 2005
 CHECKED SJJ DATE 02 MAR 2005

THIS DRAWING IS THE PROPERTY OF VIKING PUMP INC. AND IS PROPRIETARY IN GENERAL AND DETAIL. IT SHALL NOT BE COPIED OR ITS CONTENTS REVEALED TO OUTSIDE PARTIES WITHOUT THE WRITTEN CONSENT OF VIKING PUMP INC.



VIKING PUMP, INC.
 A Unit of IDEX Corporation
 Cedar Falls, Iowa 50613
 U.S.A.

DRAWING NO.
HV-3564

REV. A
 02 MAR 2005