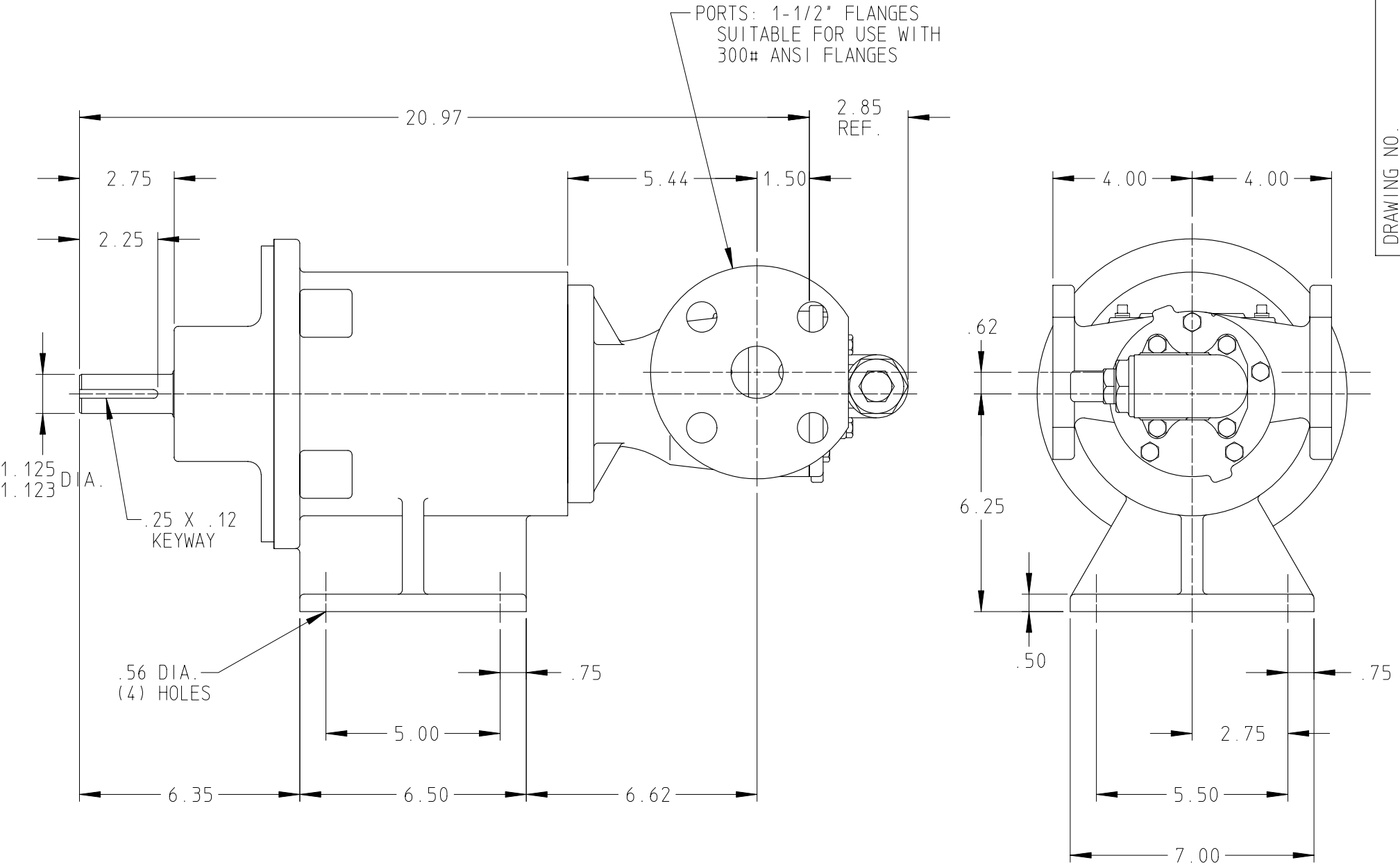


DRAWING NO.  
HV-2880



STANDARD MODELS: HJ 893-MD25-B, HL 893-MD25-B, HJ 893-MD40-B, HL 893-MD40-B

DRAWN DANN DATE 14 SEP 1989  
 CHECKED DC DATE 14 SEP 1989

THIS DRAWING IS THE PROPERTY OF VIKING PUMP INC. AND IS PROPRIETARY IN GENERAL AND DETAIL. IT SHALL NOT BE COPIED OR ITS CONTENTS REVEALED TO OUTSIDE PARTIES WITHOUT THE WRITTEN CONSENT OF VIKING PUMP INC.

**VIKING PUMP**  
 VIKING PUMP, INC.  
 A Unit of IDEX Corporation  
 Cedar Falls, Iowa 50613  
 U.S.A.

DRAWING NO.  
HV-2880

REV. C  
 28 AUG 2003