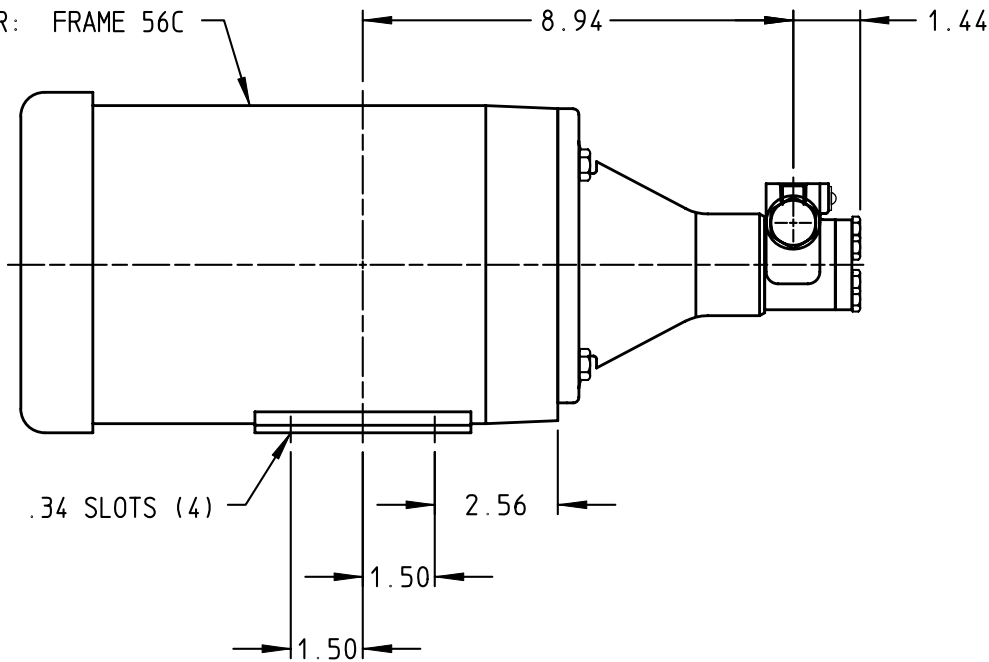
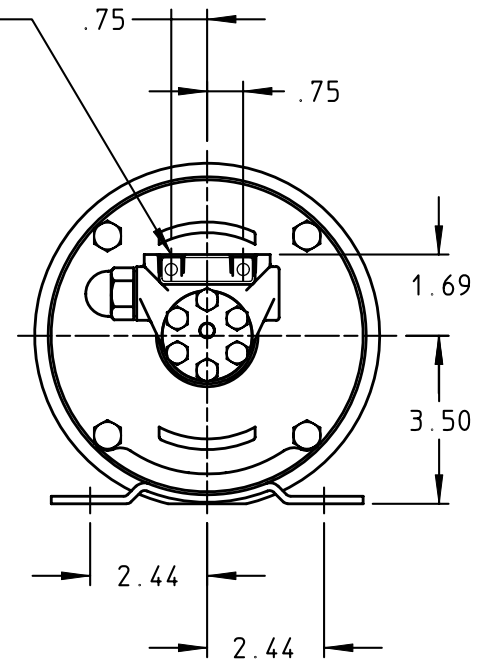


MOTOR: FRAME 56C



PORTS: 1/4" NPT



STANDARD MODELS: C56M, C456M

RELIEF VALVE IS SHOWN FOR CLOCKWISE ROTATION. VALVE IS ON OPPOSITE SIDE FOR COUNTER CLOCKWISE ROTATION.

DRAWN JAKEL DATE 11 DEC 2003  
 CHECKED SJJ DATE 11 DEC 2003

THIS DRAWING IS THE PROPERTY OF VIKING PUMP INC. AND IS PROPRIETARY IN GENERAL AND DETAIL. IT SHALL NOT BE COPIED OR ITS CONTENTS REVEALED TO OUTSIDE PARTIES WITHOUT THE WRITTEN CONSENT OF VIKING PUMP INC.



VIKING PUMP, INC.  
 A Unit of IDEX Corporation  
 Cedar Falls, Iowa 50613  
 U.S.A.

DRAWING NO.  
**CV-425**

REV. B  
 12 AUG 2008