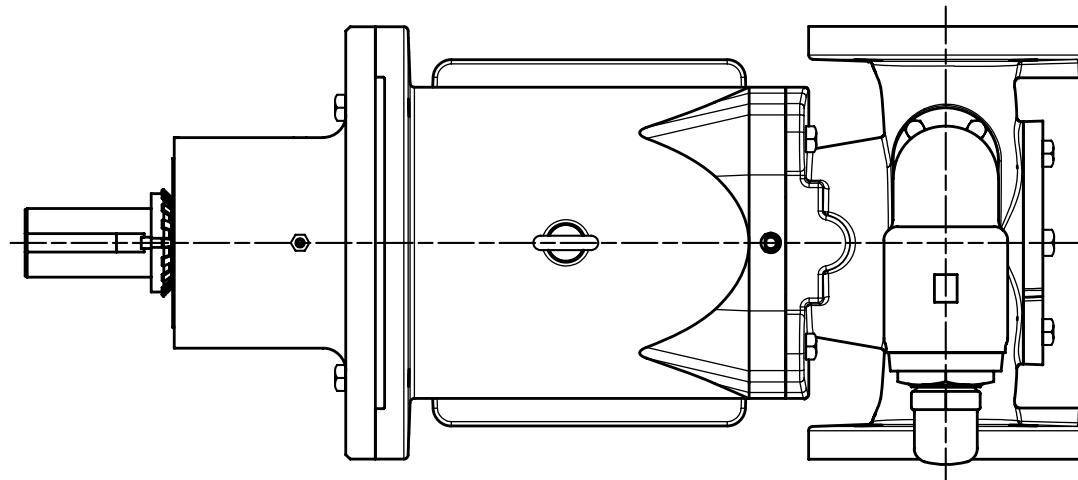
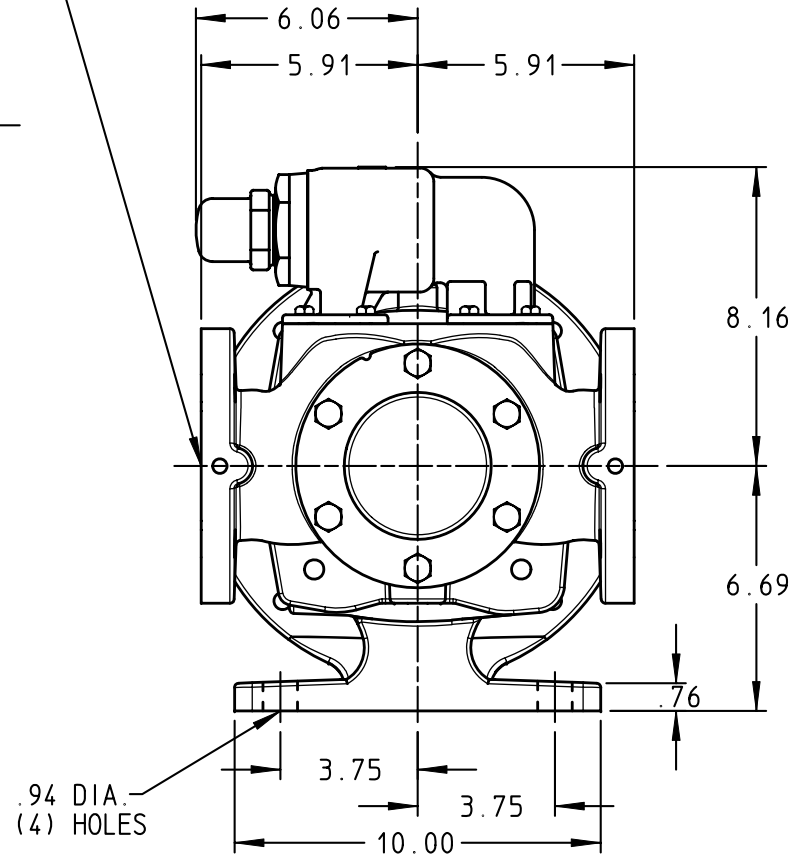
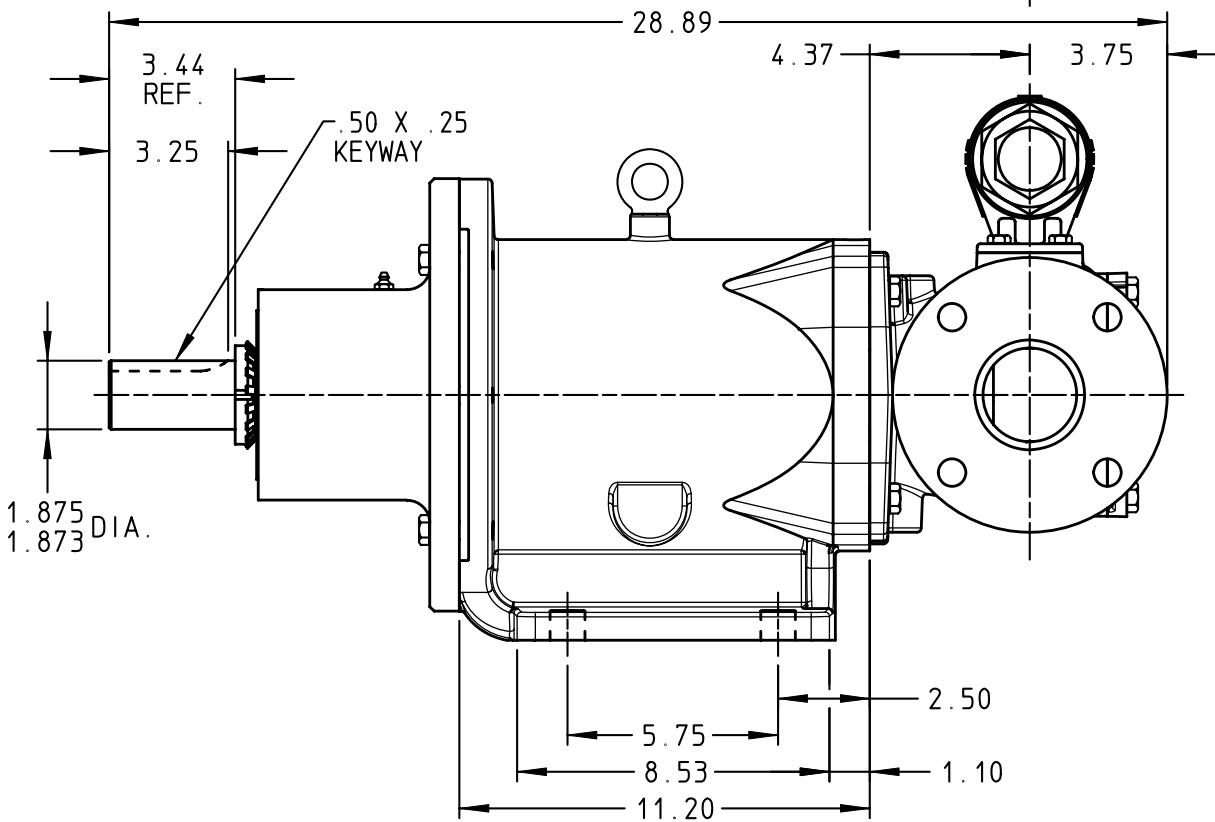


DRAWING NO.  
AV-836



PORTS: 3" OPPOSITE FLANGES  
SUITABLE FOR USE WITH  
125# ANSI FLANGES



STANDARD MODELS: AS855MD2CB, AK855MD2CB, AL855MD2CB

DRAWN REUTHER DATE 30 AUG 2004  
CHECKED IEHL DATE 31 AUG 2004

THIS DRAWING IS THE PROPERTY OF VIKING PUMP INC. AND IS PROPRIETARY IN GENERAL AND DETAIL. IT SHALL NOT BE COPIED OR ITS CONTENTS REVEALED TO OUTSIDE PARTIES WITHOUT THE WRITTEN CONSENT OF VIKING PUMP INC.



VIKING PUMP, INC.  
A Unit of IDEX Corporation  
Cedar Falls, Iowa 50613  
U.S.A.

DRAWING NO.  
AV-836

REV. C  
25 SEP 2007