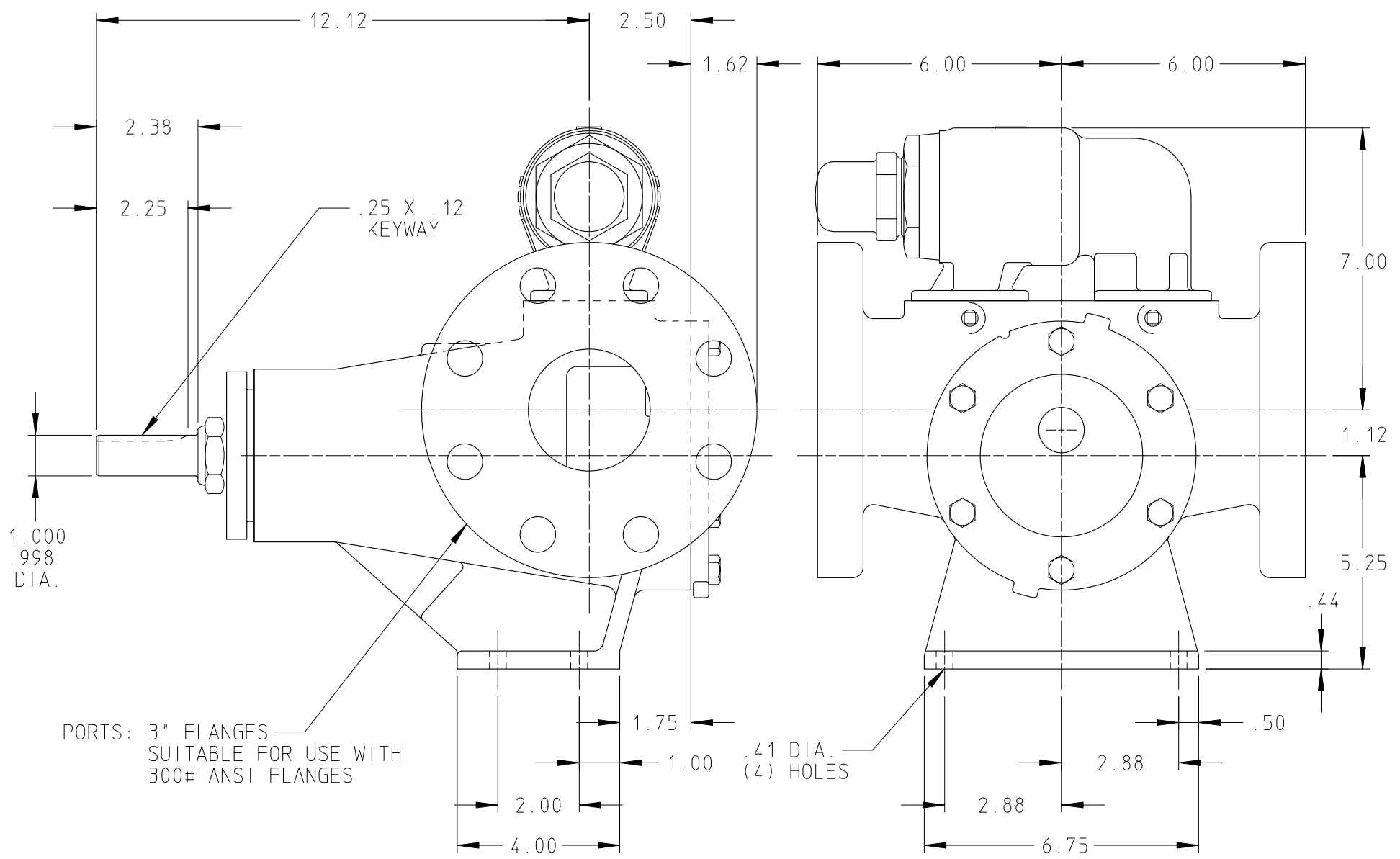


DRAWING NO.  
AV-814



STANDARD MODELS: AL4193

DRAWN WUNDERLICH DATE 4 AUG 2003  
 CHECKED DRS DATE 8 AUG 2003

THIS DRAWING IS THE PROPERTY OF VIKING PUMP INC. AND IS PROPRIETARY IN GENERAL AND DETAIL. IT SHALL NOT BE COPIED OR ITS CONTENTS REVEALED TO OUTSIDE PARTIES WITHOUT THE WRITTEN CONSENT OF VIKING PUMP INC.



VIKING PUMP, INC.  
 A Unit of IDEX Corporation  
 Cedar Falls, Iowa 50613  
 U.S.A.

DRAWING NO.  
AV-814

REV. B  
 2 OCT 2003