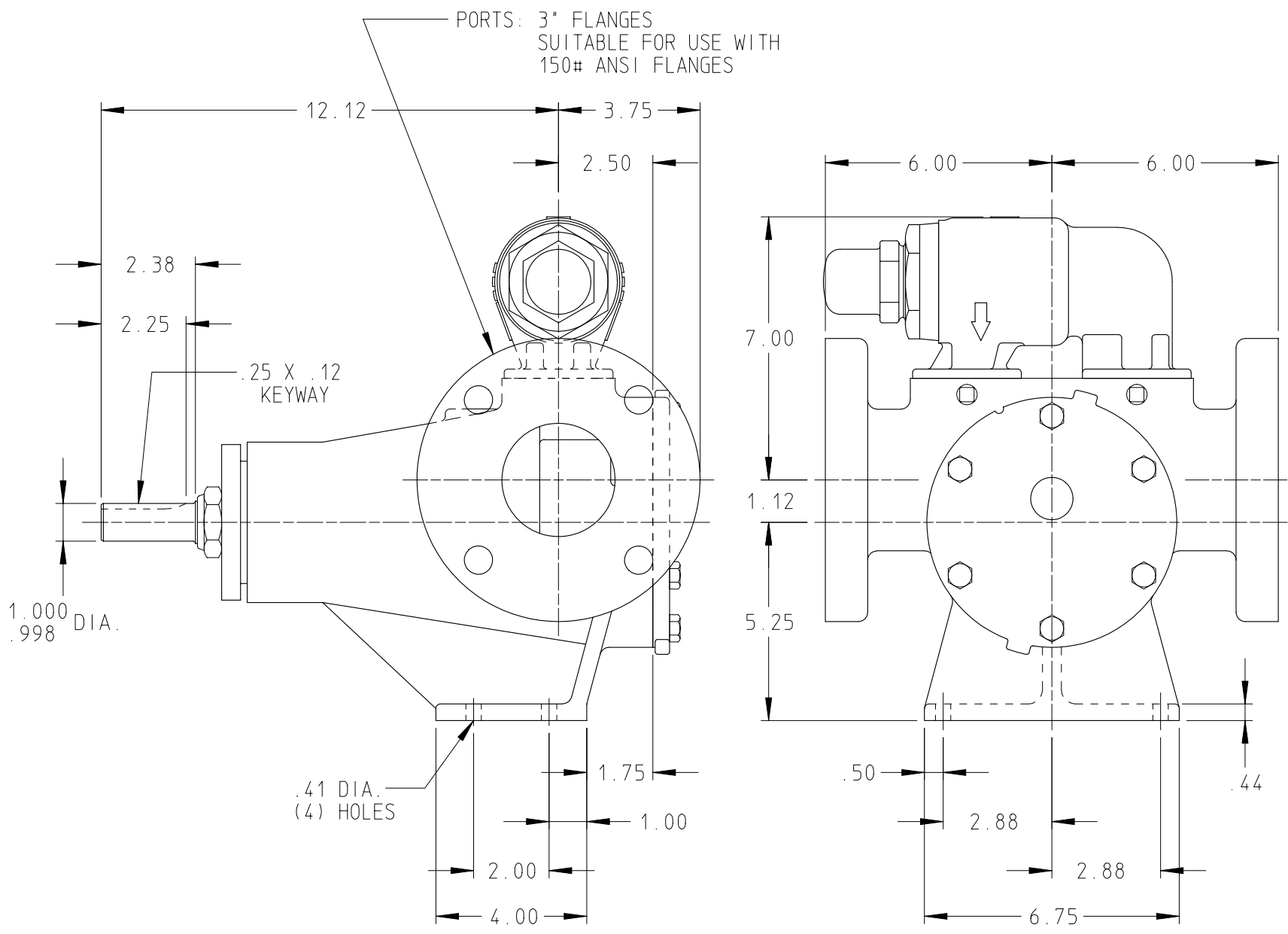


DRAWING NO.  
AV-813



STANDARD MODELS: AL4197

DRAWN WUNDERLICH DATE 1 AUG 2003  
 CHECKED DRS DATE 8 AUG 2003

THIS DRAWING IS THE PROPERTY OF VIKING PUMP  
 INC. AND IS PROPRIETARY IN GENERAL AND DETAIL.  
 IT SHALL NOT BE COPIED OR ITS CONTENTS  
 REVEALED TO OUTSIDE PARTIES WITHOUT THE  
 WRITTEN CONSENT OF VIKING PUMP INC.

**VIKING PUMP**  
 VIKING PUMP, INC.  
 A Unit of IDEX Corporation  
 Cedar Falls, Iowa 50613  
 U.S.A.

DRAWING NO.  
AV-813

REV. B  
2 OCT 2003