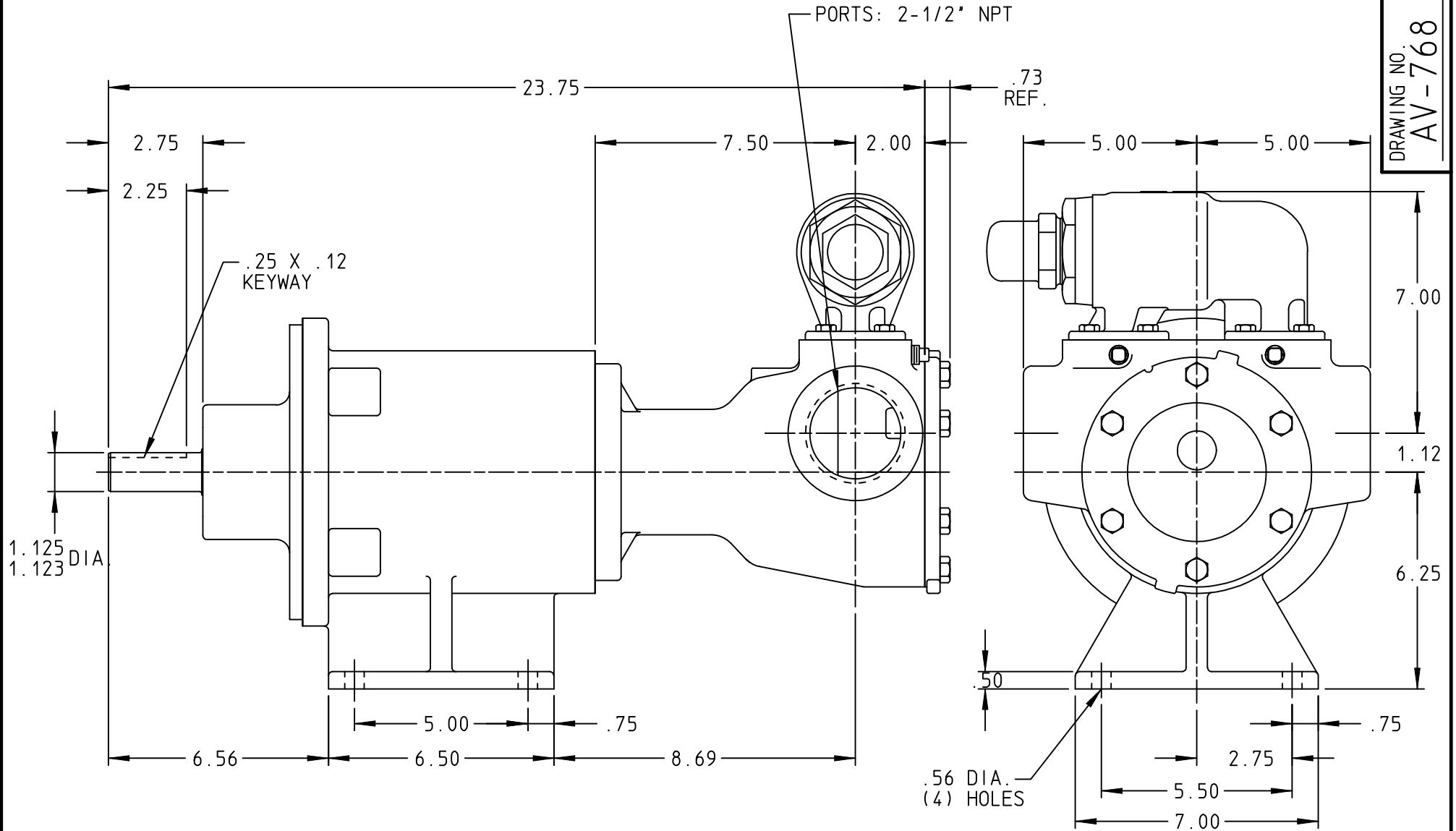


DRAWING NO.  
AV-768



STANDARD MODELS: AS-895-MD-B-B, AK-895-MD-B-B

DRAWN RICH M DATE 4 JAN 2001  
 CHECKED DRS DATE 18 JAN 2001

THIS DRAWING IS THE PROPERTY OF VIKING PUMP INC. AND IS PROPRIETARY IN GENERAL AND DETAIL. IT SHALL NOT BE COPIED OR ITS CONTENTS REVEALED TO OUTSIDE PARTIES WITHOUT THE WRITTEN CONSENT OF VIKING PUMP INC.



VIKING PUMP, INC.  
 A Unit of IDEX Corporation  
 Cedar Falls, Iowa 50613  
 U.S.A.

DRAWING NO.  
AV-768

REV. B  
 22 MAR 2002