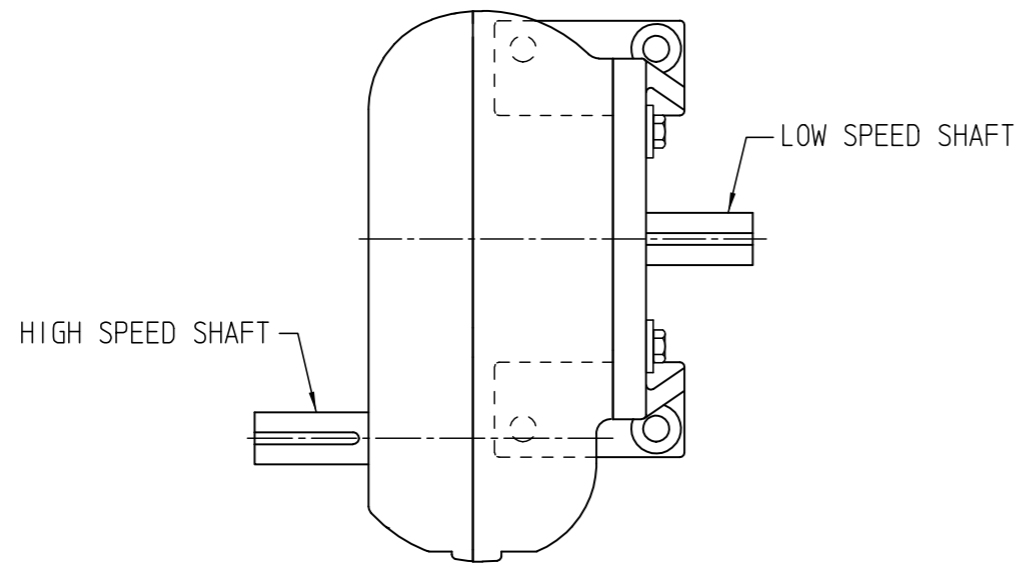


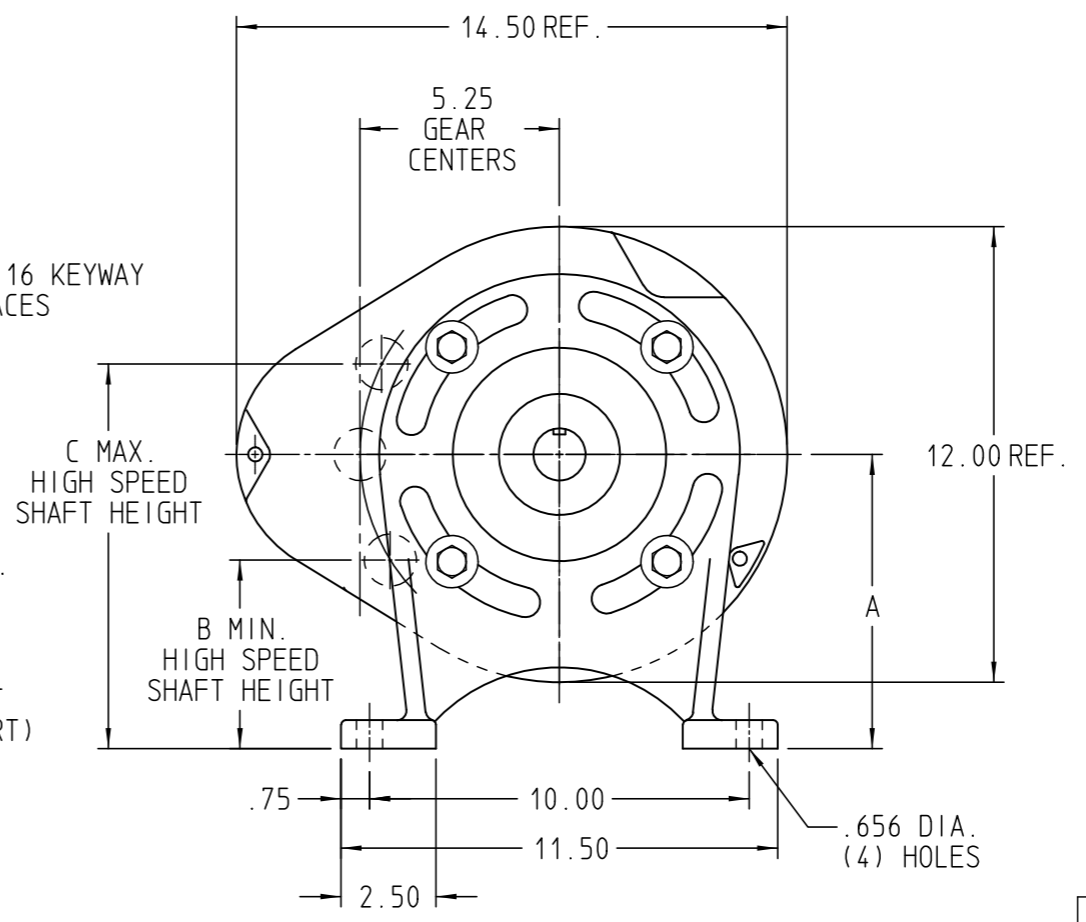
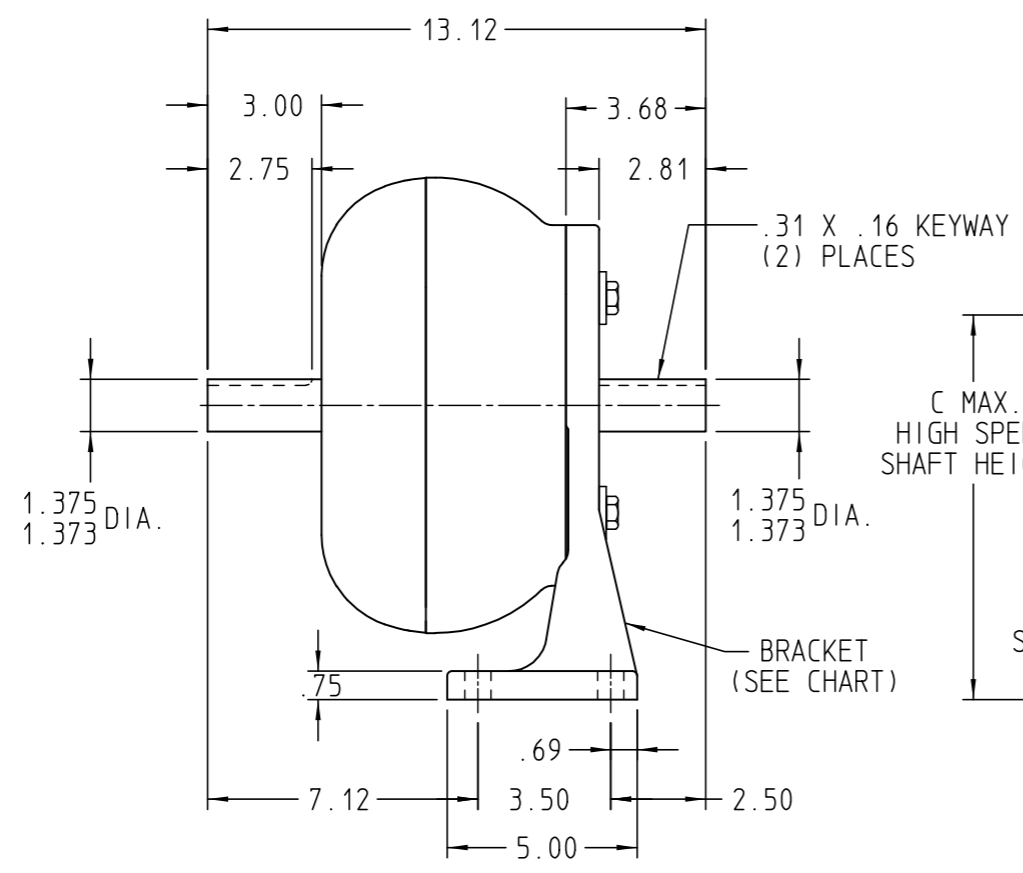
6 5 4 3 2 1

D
C
B
A

D
C
B
A



BRACKET NUMBER	A	B	C
2-074-011-100	7.75	5.00	10.00
2-074-012-100	9.50	6.75	11.75



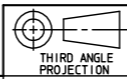
B	30 JAN 06
REV.	C.N. NO. DATE

USE & RELATED INFORMATION

GEOMETRIC SYMBOLS

-- UNLESS OTHERWISE SPECIFIED --
 TWO PLACE DECIMALS .XX = + -.02
 THREE PLACE DECIMALS .XXX = + -.005
 ANGLES = + -5°
 ALL FINISHED SURFACES 250√(AA .030 CUTOFF)
 BREAK EDGES .005 / .015 RADIUS OR CHAMFER

DRAWN WUNDERLICH 2 SEP 03
 CHECKED DRS 10 SEP 03
 APPROVED
 SCALE 1=3 INCH DIM.



THIS DRAWING IS THE PROPERTY OF VIKING PUMP, INC. AND IS PROPRIETARY IN GENERAL AND DETAIL. IT SHALL NOT BE COPIED OR ITS CONTENTS REVEALED TO OUTSIDE PARTIES WITHOUT WRITTEN CONSENT OF VIKING PUMP, INC.

VIKING "C" SIZE REDUCER WITH FOOT BRACKET RATIOS AVAILABLE:
 2.21:1 3.31:1 5.08:1 7.95:1
 2.80:1 4.21:1 6.24:1



PATTERN NUMBER
 DRAWING NUMBER 3-551-000-00C
 DRG. SIZE C

6 5 4 3 2 1