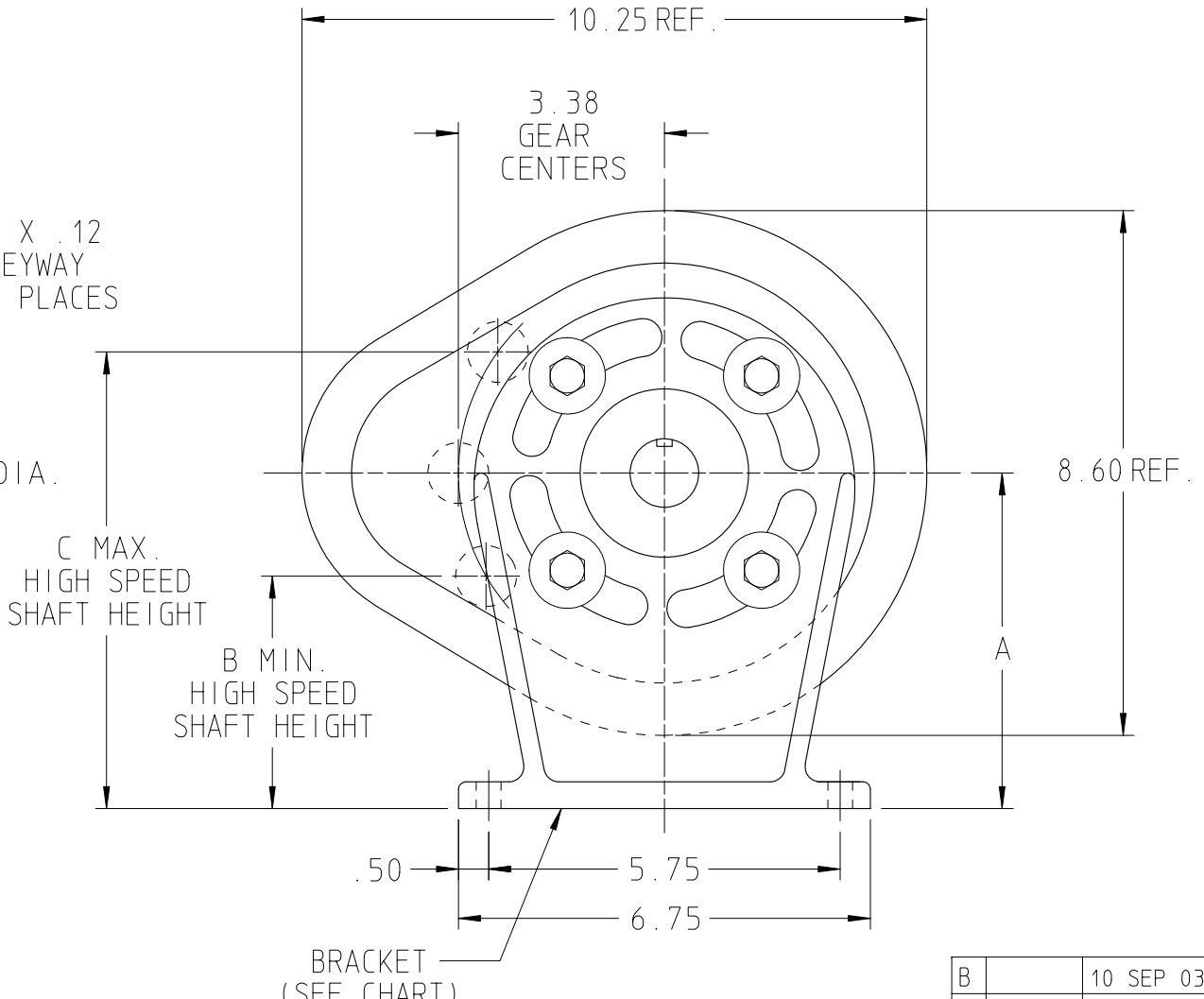
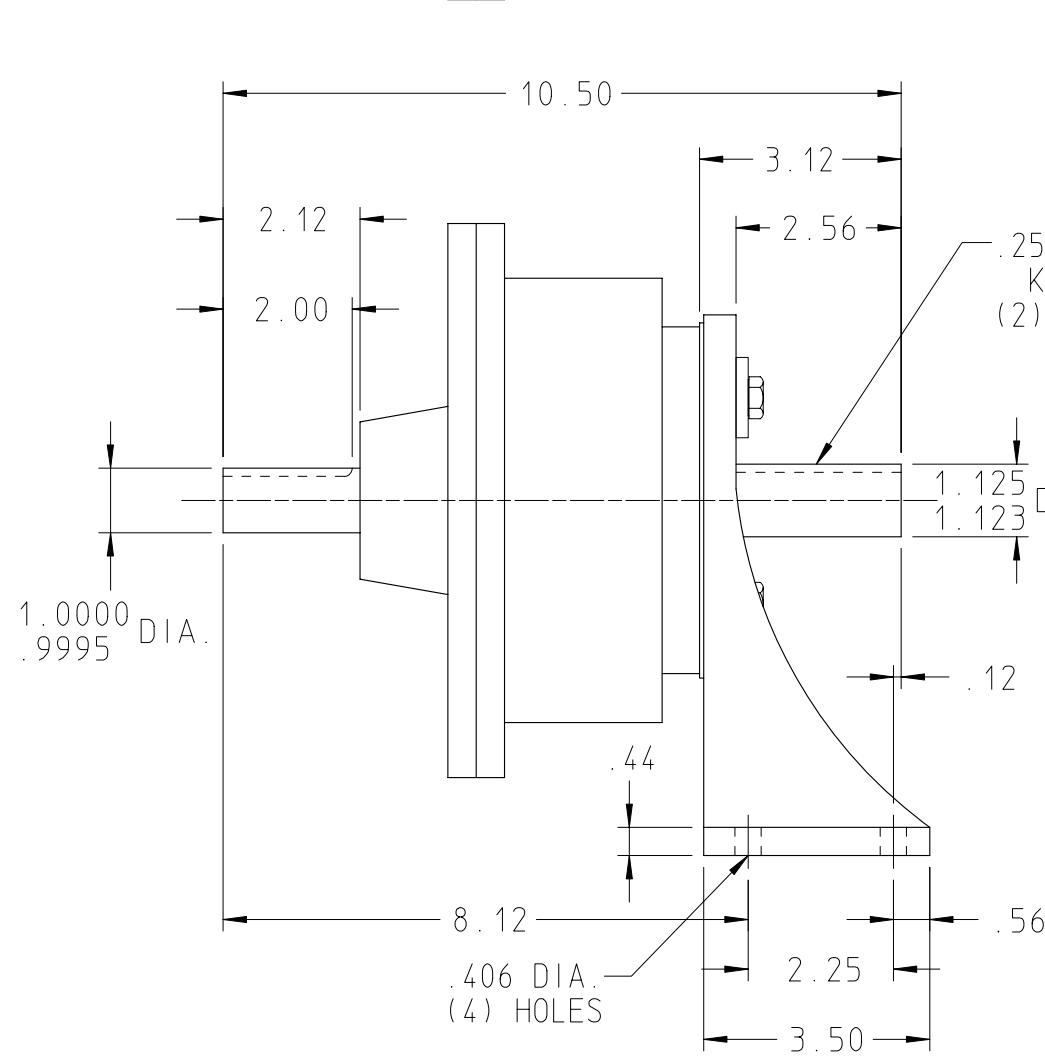


BRACKET NUMBER	A	B	C
2-074-010-100	4.62	3.12	6.62
2-074-008-100	5.50	3.88	7.38
2-074-007-100	7.00	4.62	8.00

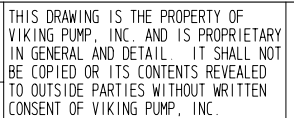


B	10 SEP 03
REV.	C. N. NO. DATE

USE & RELATED INFORMATION

GEOMETRIC SYMBOLS		-- UNLESS OTHERWISE SPECIFIED --	
RUNOUT	PARALLELISM //	TWO PLACE DECIMALS	XX = + -.02
FLATNESS	PERPENDICULARITY ⊥	THREE PLACE DECIMALS	XXX = + -.005
ROUNDNESS		ANGLES = + -5°	250 (AA) .030 CUTOFF
		ALL FINISHED SURFACES	
		BREAK EDGES .005 / .015 RADIUS OR CHAMFER	

DRAWN	WUNDERLICH	22 AUG 03
CHECKED	DRS	27 AUG 03
APPROVED		
SCALE	1 = 2	INCH DIM.



THIS DRAWING IS THE PROPERTY OF VIKING PUMP, INC. AND IS PROPRIETARY IN GENERAL AND DETAIL. IT SHALL NOT BE COPIED OR ITS CONTENTS REVEALED TO OUTSIDE PARTIES WITHOUT WRITTEN CONSENT OF VIKING PUMP, INC.

VIKING "B" SIZE REDUCER WITH FOOT BRACKET RATIOS AVAILABLE:			
1.87:1	2.76:1	4.19:1	6.27:1
2.24:1	3.40:1	5.06:1	7.65:1



PATTERN NUMBER	DRG. SIZE C
DRAWING NUMBER	3-551-000-00B